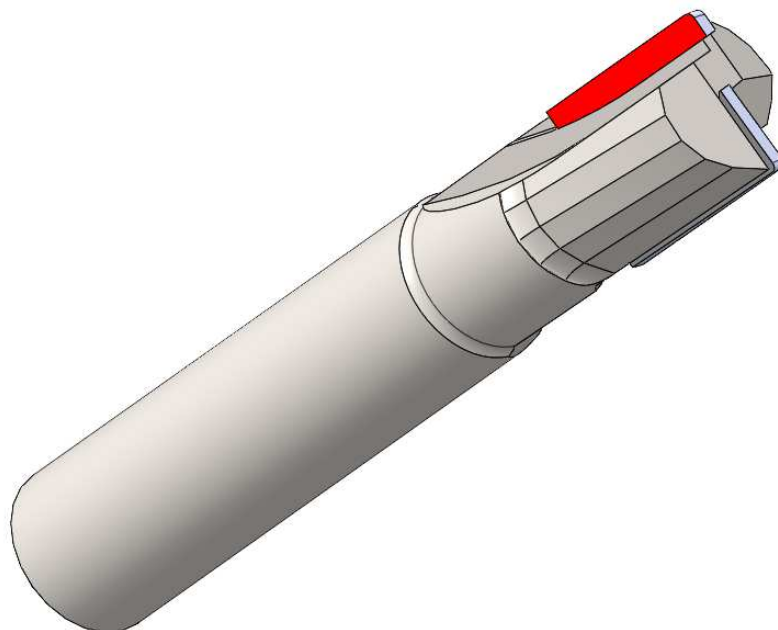
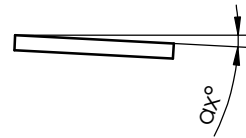
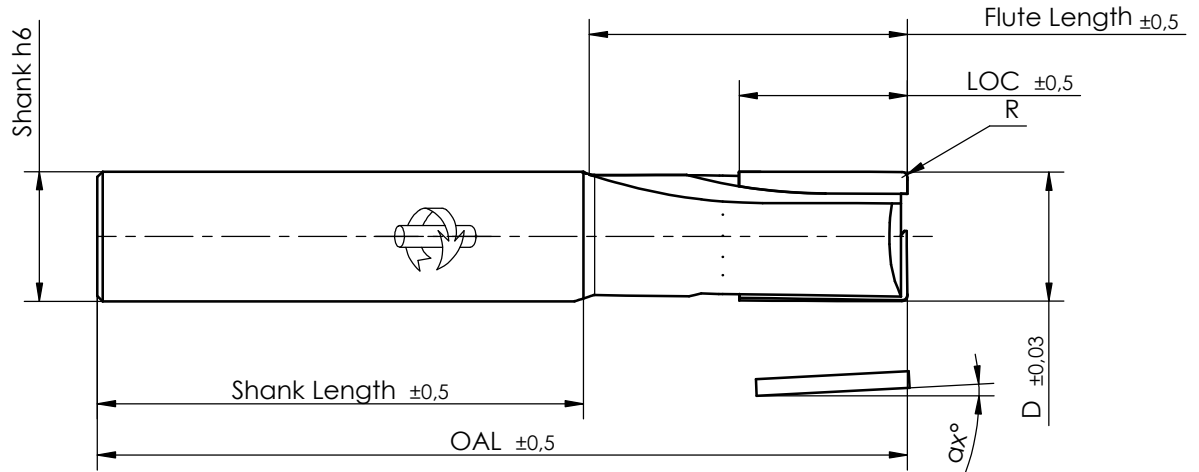
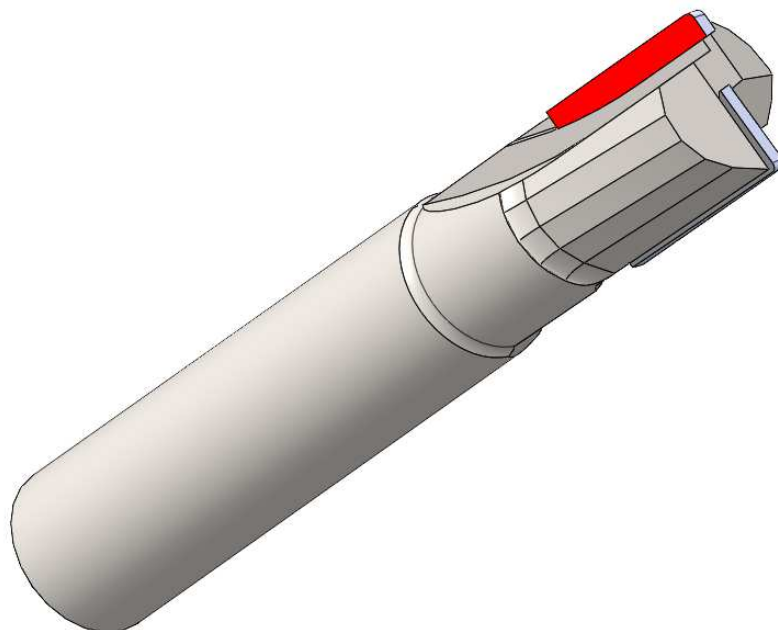
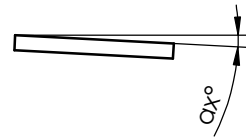
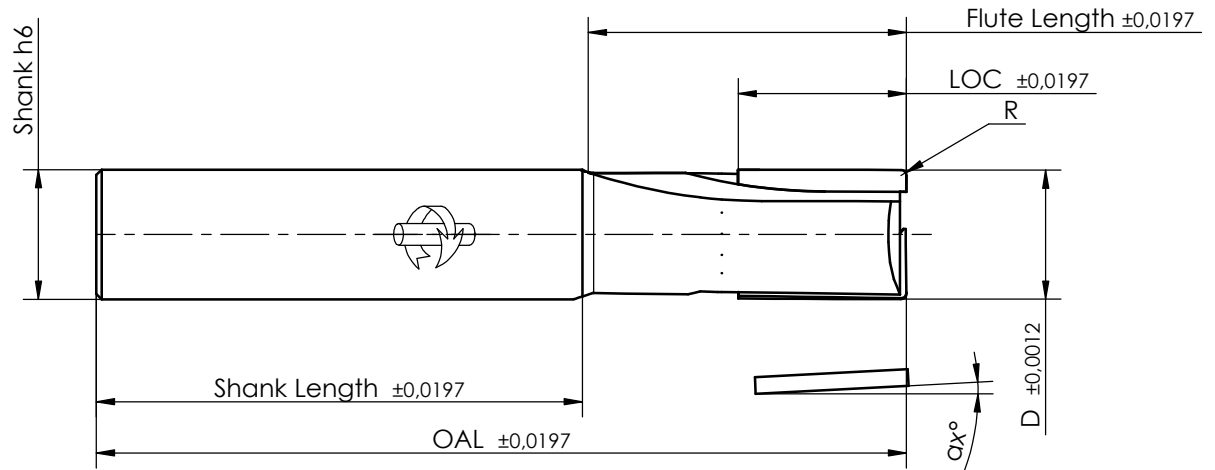


PCD ENDMILL CUTTER (METRIC)

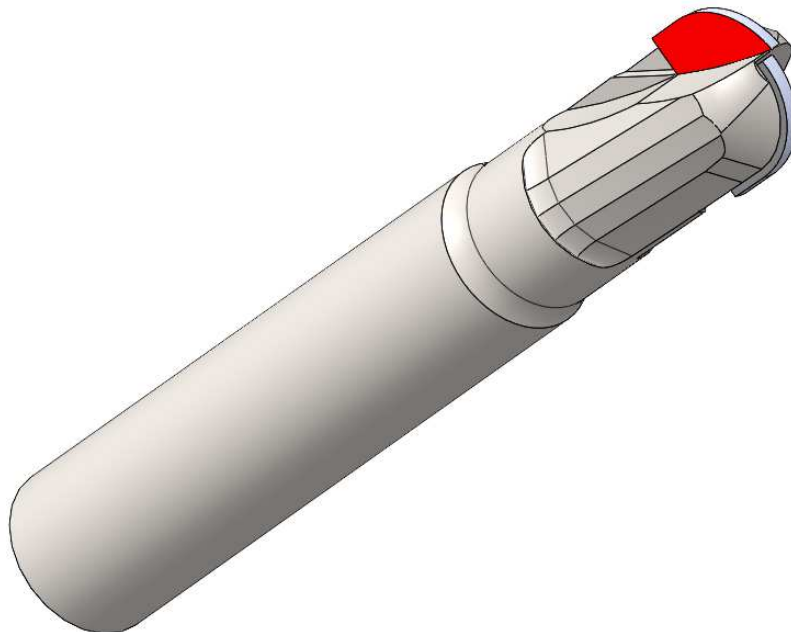
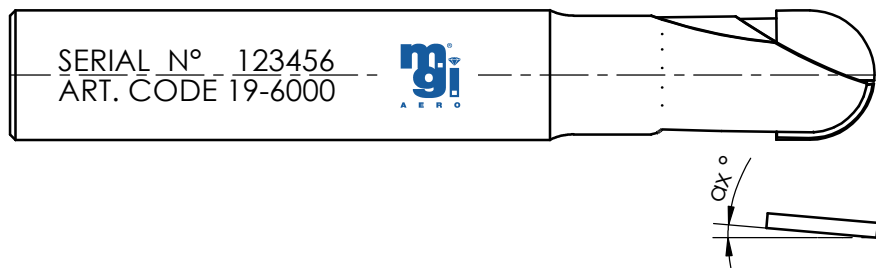
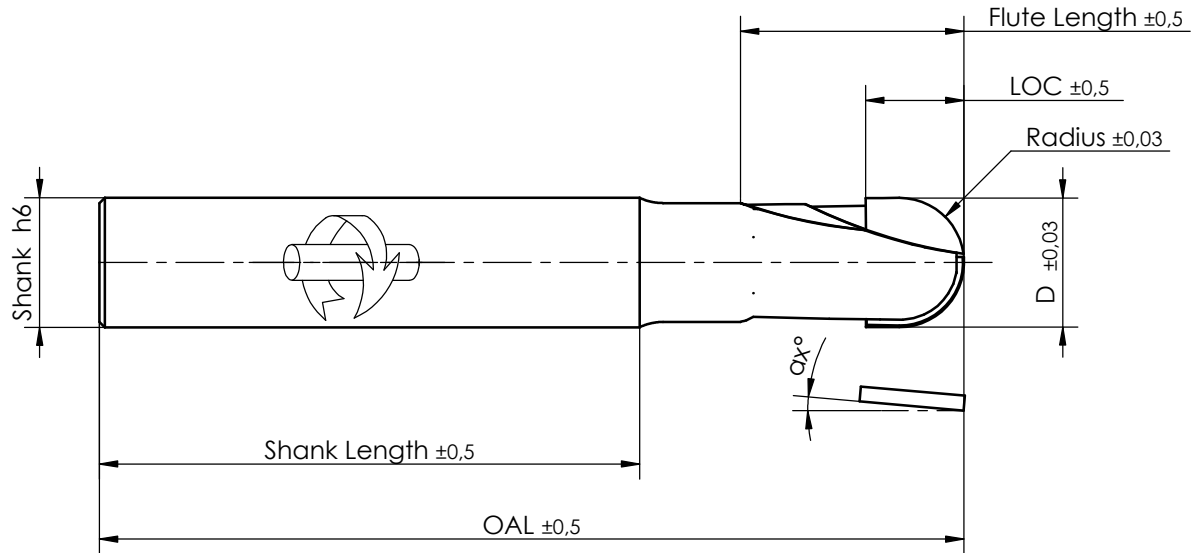


This drawing and the information given is the exclusive property of "M.GI. TOOLS S.r.l.". Any reproduction and/or use of, other than for the supply of tools from "M.GI. TOOLS S.r.l.", is strictly prohibited.

PCD ENDMILL CUTTER (IMPERIAL)

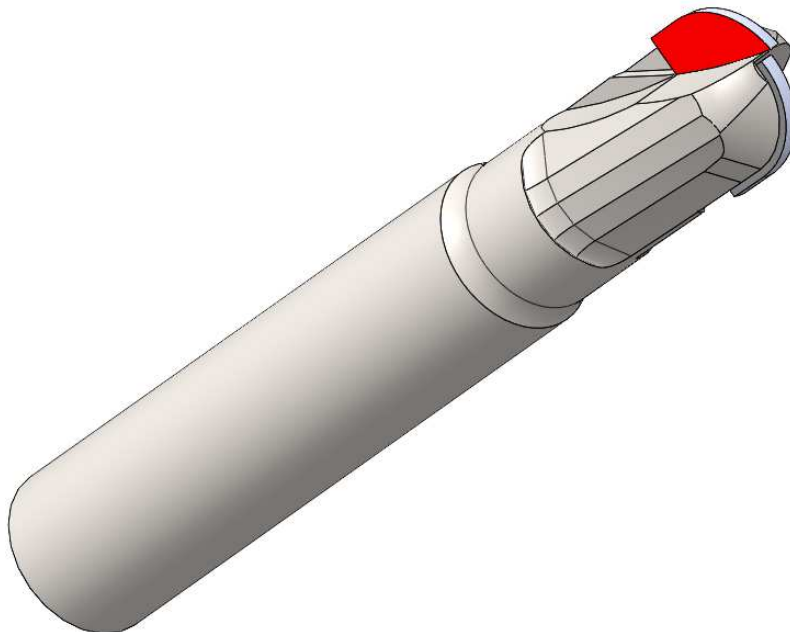
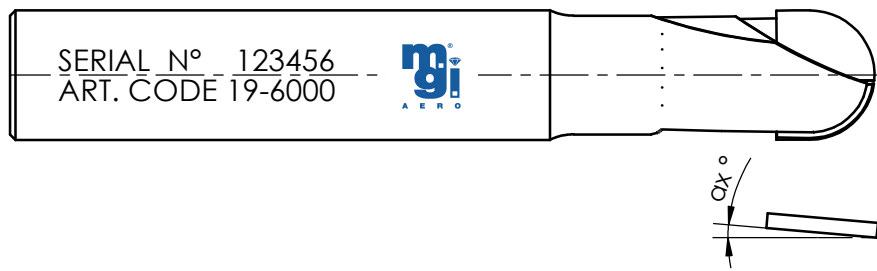
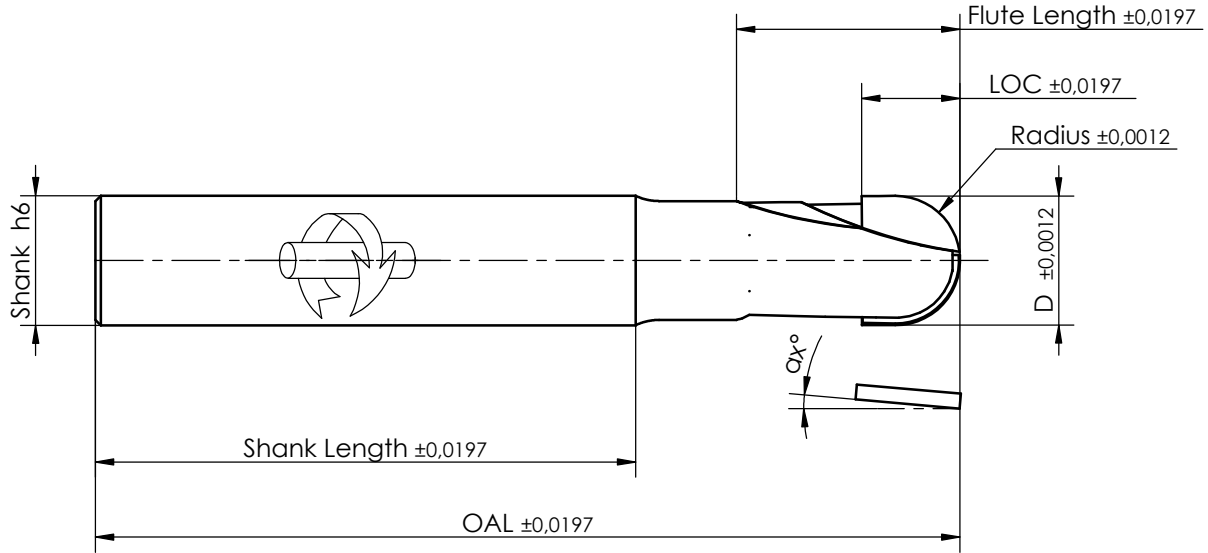


PCD BALLNOSE CUTTER (METRIC)



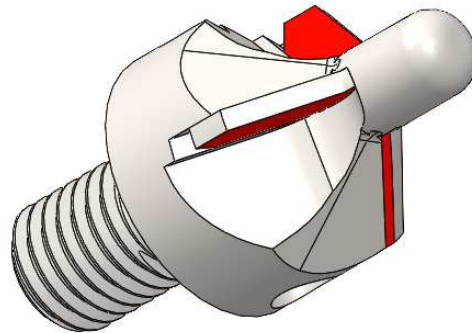
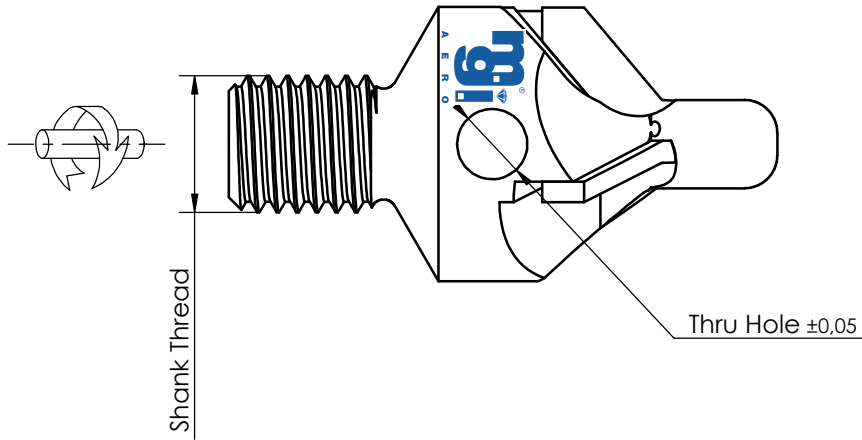
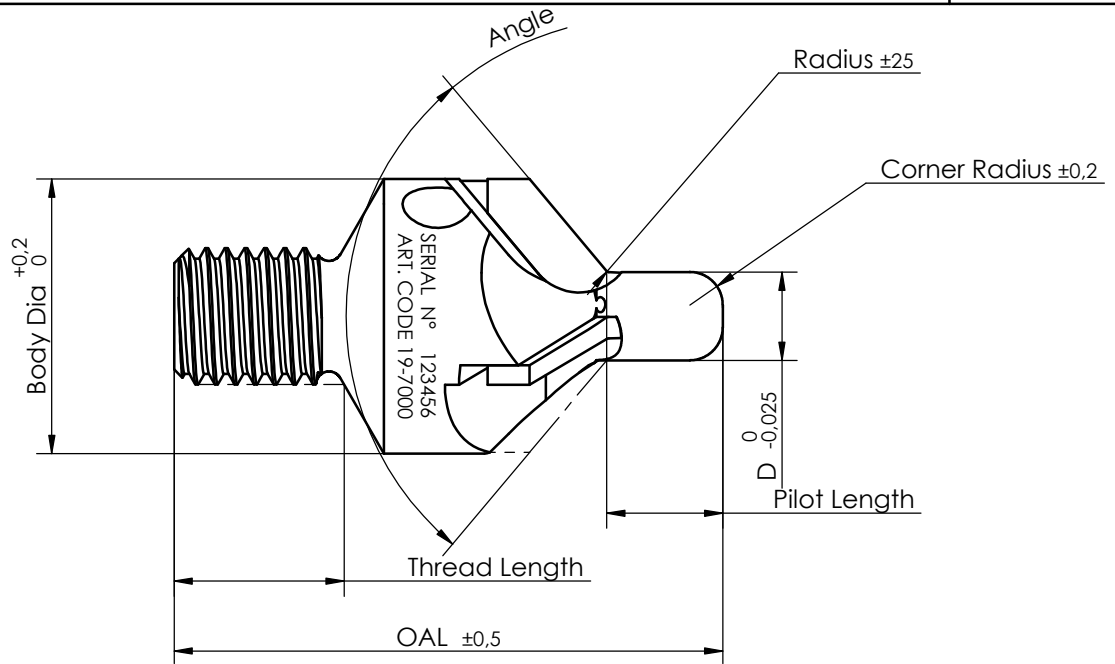
This drawing and the information given is the exclusive property of "M.GI. TOOLS S.r.l.". Any reproduction and/or use of, other than for the supply of tools from "M.GI. TOOLS S.r.l.", is strictly prohibited.

PCD BALLNOSE CUTTER (IMPERIAL)



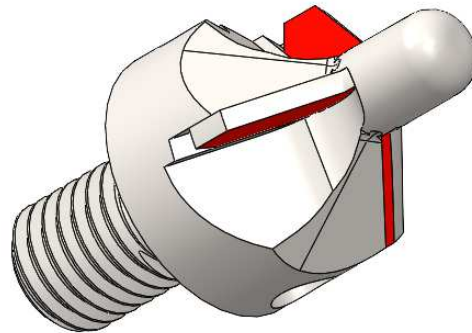
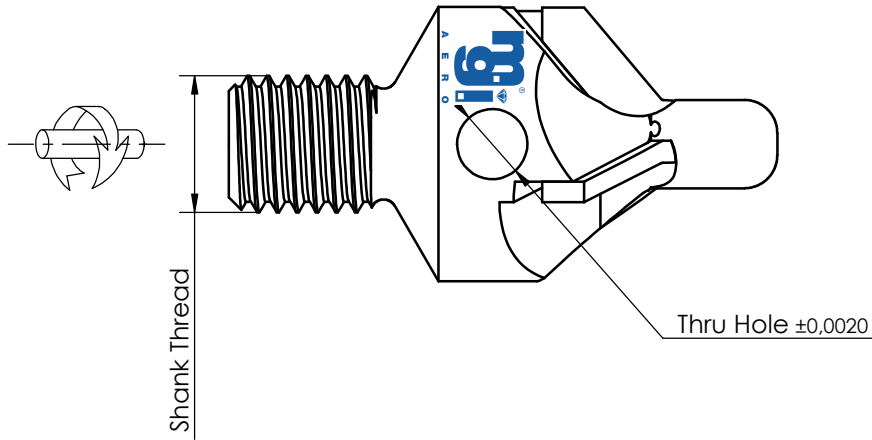
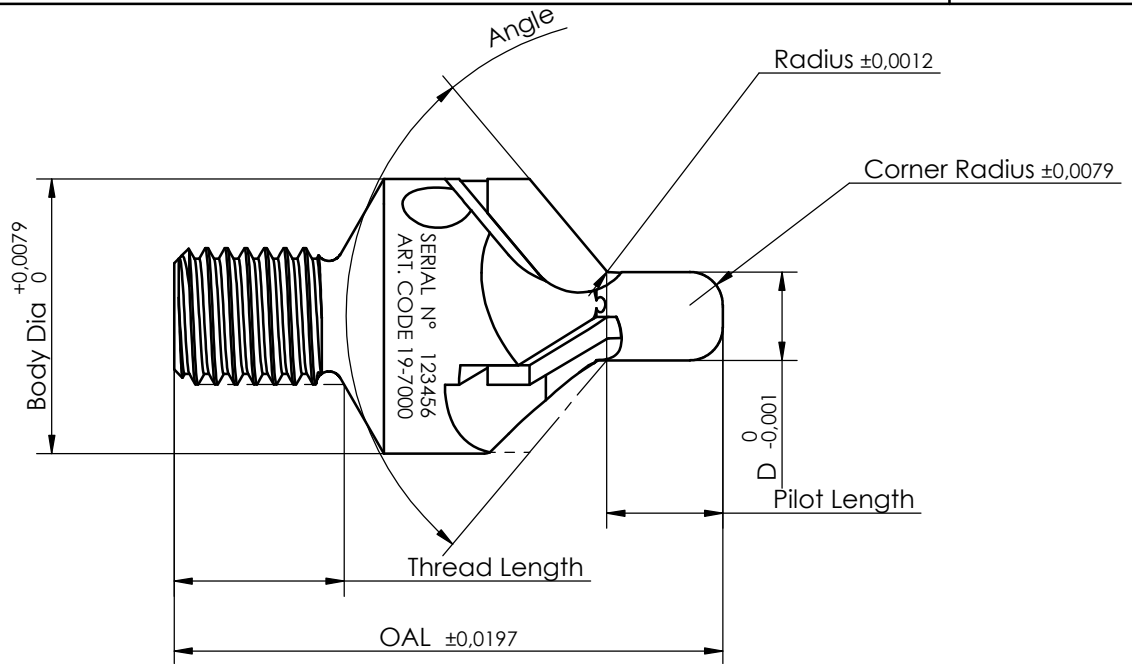
This drawing and the information given is the exclusive property of "M.GI. TOOLS S.r.l.". Any reproduction and/or use of, other than for the supply of tools from "M.GI. TOOLS S.r.l.", is strictly prohibited.

PCD COUNTERSINK (METRIC)



This drawing and the information given is the exclusive property of "M.GI. TOOLS S.r.l.". Any reproduction and/or use of, other than for the supply of tools from "M.GI. TOOLS S.r.l.", is strictly prohibited.

PCD COUNTERSINK (IMPERIAL)



This drawing and the information given is the exclusive property of "M.GI. TOOLS S.r.l.". Any reproduction and/or use of, other than for the supply of tools from "M.GI. TOOLS S.r.l.", is strictly prohibited.