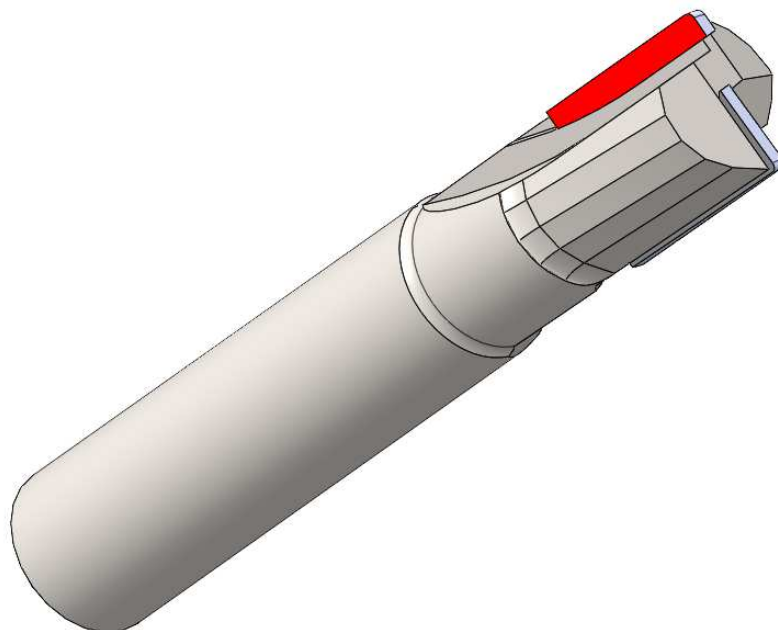
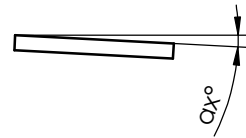
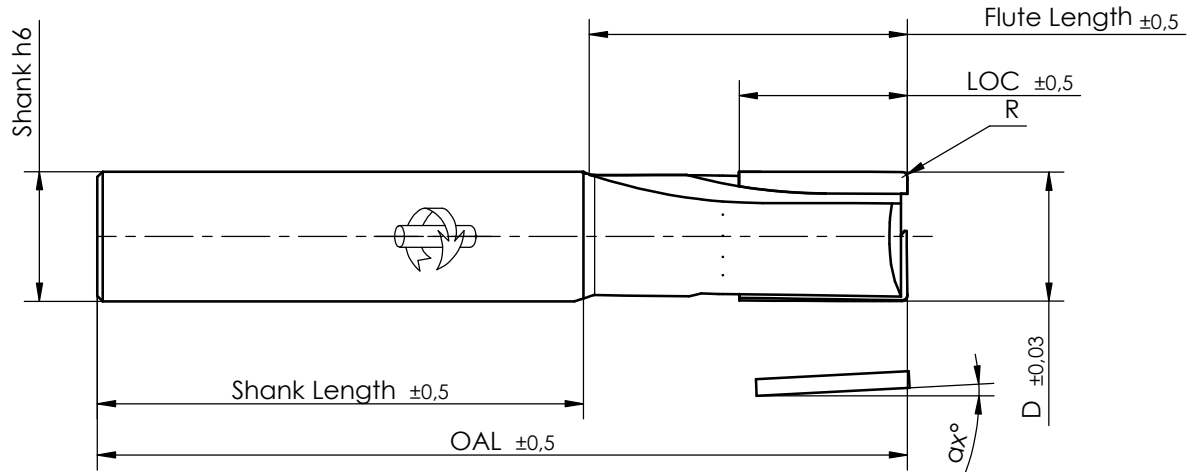


PCD ENDMILL CUTTER (METRIC)



PCD ENDMILL CUTTER (IMPERIAL)

